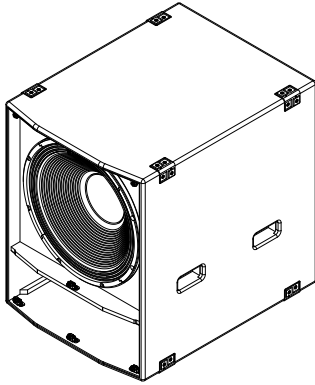


S18 S36

User's manual



The S18 uses an 18-inch high-efficiency neodymium magnet ultra-low frequency driver with a 4-inch voice coil and long stroke. Due to the optimized design of the transducer cabinet and curved radiant tube technology, it can replay the 26 Hz (processed) limit frequency to obtain excellent radiation efficiency and excellent sound quality.

By relaxing the requirements for amplifier power, system costs can be reduced.

The front is equipped with a protective net for easy maintenance.

S18 (P/N:06020000211000)

Description:subwoofer 1x 18"

Power capacity:

3000W Program)

Low frequency limit:

(-10 dB) 26 Hz (processed)

Maximum SPL:140dB (processed)*

Nominal impedance:8

Transducers:

18" neodymium, aluminium die cast basket

Acoustical load:bass-reflex

**Peak level at 1 m under half space conditions using pink noise with crest factor 4*

Connect

2xNEUTRIK® NL4 SPEAKON® parallel
INPUT/LINK: ±1Through ±2

Cabinet

15mm birch plywood made by CNC

Wear-resistant environmentally friendly polyurea spray paint

Handling:4 handles

Front:coated steel grille

Finish:black polyurea spot spray

Product DIM(mm) / Package DIM(mm)

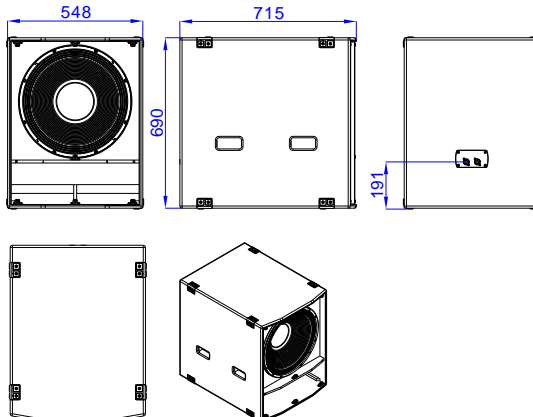
W548xH690xD715 / W842xL675xH834

Net Weight:

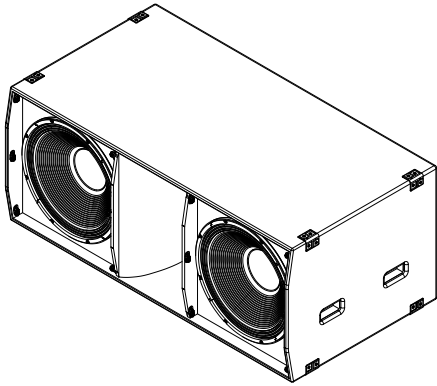
44kg / 97lb

Gross Weight:

56kg / 124lb



SPECIFICATIONS



S36 (P/N:06020000212000)

Description:subwoofer 2x 18"

Power capacity :

6000W Program)

Low frequency limit:

(-10 dB) 25 Hz (processed)

Maximum SPL:143dB (processed)*

Nominal impedance:4

Transducers:

18" neodymium, aluminium die cast basket

Acoustical load:bass-reflex

**Peak level at 1 m under half space conditions
using pink noise with crest factor 4*

The S36 uses an 18-inch high-efficiency neodymium magnet ultra-low frequency driver with a 4-inch voice coil and long stroke. Due to the optimized design of the transducer cabinet and curved radiant tube technology, it can replay the 25 Hz (processed) limit frequency to obtain excellent radiation efficiency and excellent sound quality.

By relaxing the requirements for amplifier power, system costs can be reduced.

The front is equipped with a protective net for easy maintenance.

Connect

2xNEUTRIK® NL4 SPEAKON® parallel
INPUT/LINK: ± 1 Through ± 2

Cabinet

15mm birch plywood made by CNC

Wear-resistant environmentally friendly polyurea spray paint

Handling:4 handles

Front:coated steel grille

Finish:black polyurea spot spray

Product DIM(mm) / Package DIM(mm)

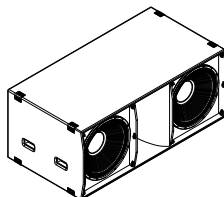
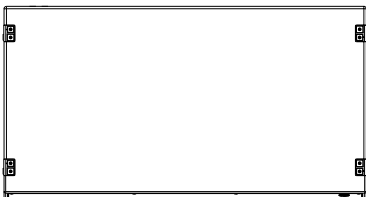
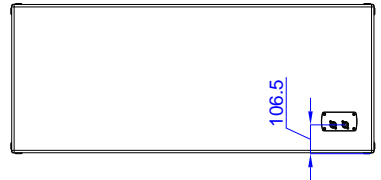
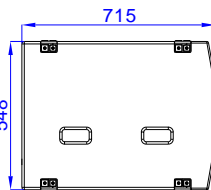
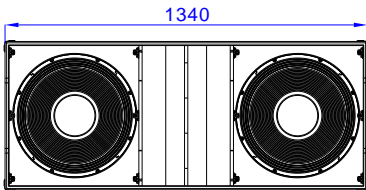
W1340xH548xD715 / W842xL675xH1484

Net Weight:

74kg / 163lb

Gross Weight:

88kg / 194lb



Verity Audio reserves the right to make any changes to the product specifications without prior notice.
Final specifications to be found in the user manual.

