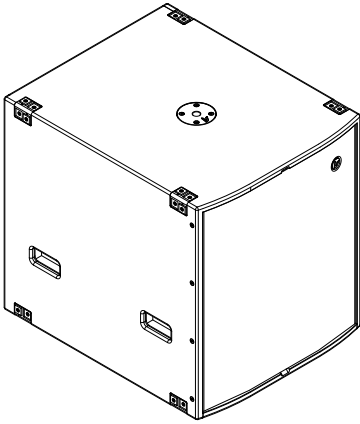


SUB118
SUB218

User's manual

SPECIFICATIONS



SUB118 is use an 18" ultra-low frequency driver with 4" voice coil, 220mm ferromagnetic and aluminum frame, it can get the best radiation efficiency and outstanding performance in 32 Hz with -3dB due to Optimized design of the cabinet for transducer and the technology of unequal diameter radiant tube . it can reduce the cost of system by relaxed the requirement of the power of amplifier because it have the high efficiency of the loudspeaker. SUB118 is an indoor product, it can make the subwoofer more closer to the wall and have an outstanding performance in ultra-low frequency by the special design of the wiring position.

Acoustics

AES Power capacity:1200W
Program power:LF:2400W
Nominal impedance:8 Ω
Frequency response:29~2.2kHz(-10dB)
Sensitivity:100dB
Maximum SPL:>133dB(pink noise 1m 1box)

Drivers

LF driver:18" Carbon fiber cone ferret driver
Voice coil:4"(100mm)

Connect

2xNEUTRIK® NL4 SPEAKON® parallel
INPUT:±1 LINK:±2

Cabinet

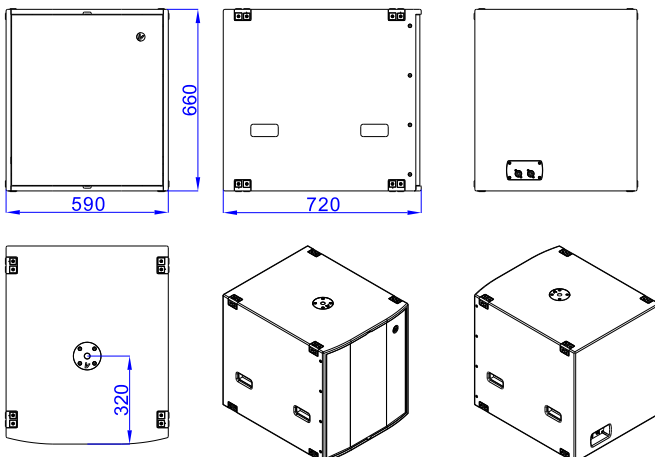
CNC made 18mm birch woodSandy
wear-resisting environmental spray paint

Product DIM(mm)/Package DIM(mm)

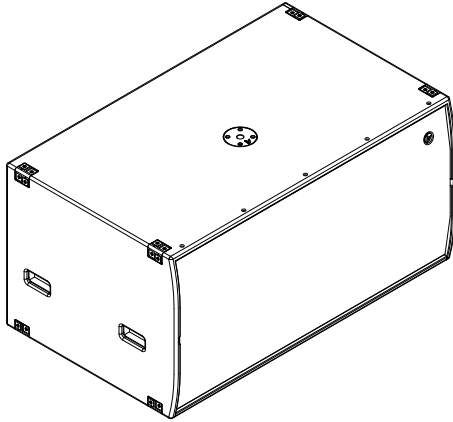
W590xH660xD720 / W680xH810xD760

N.W/ G.W:

48.5kg / 54kg



SPECIFICATIONS



SUB218 is use 2x 18" ultra-low frequency driver with 4" voice coil, 220mm ferromagnetic and aluminum frame, it can get the best radiation efficiency and outstanding performance in 32 Hz with -3dB due to Optimized design of the cabinet for transducer and the technology of unequal diameter radiant tube . it can reduce the cost of system by relaxed the requirement of the power of amplifier because it have the high efficiency of the loudspeaker. SUB218 is an indoor product, it can make the subwoofer more closer to the wall and have an outstanding performance in ultra-low frequency by the special design of the wiring position.

Acoustics

AES Power capacity:2400W
Program power:LF:4800W
Nominal impedance:4 Ω
Frequency response:28~2.2kHz(-10dB)
Sensitivity:103dB
Maximum SPL:>136dB(pink noise 1m 1box)

Drivers

2xLF driver:18" Carbon fiber cone ferret driver
Voice coil:4"(100mm)

Connect

2xNEUTRIK® NL4 SPEAKON® parallel
INPUT:±1 LINK:±2

Cabinet

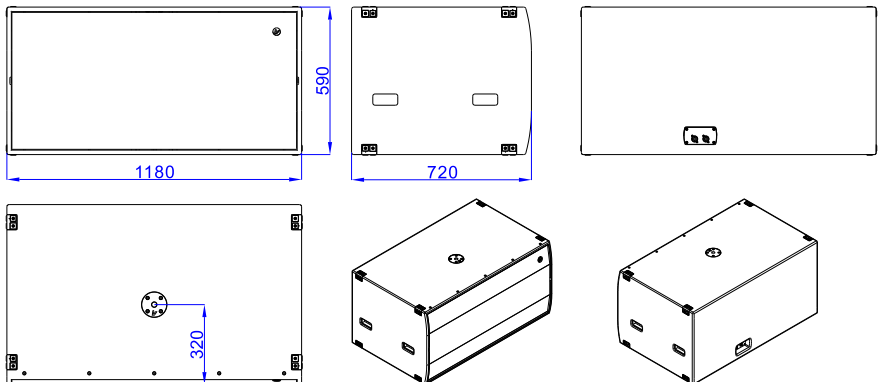
CNC made 18mm birch woodSandy
wear-resisting environmental spray paint

Product DIM(mm)/Package DIM(mm)

W1180xH590xD720 / W680xH1280xD810

N.W/ G.W:

80.5kg / 89.5kg





Verity audio reserves the right to make any changes to the product specifications without prior notice.
Final specifications to be found in the user manual.