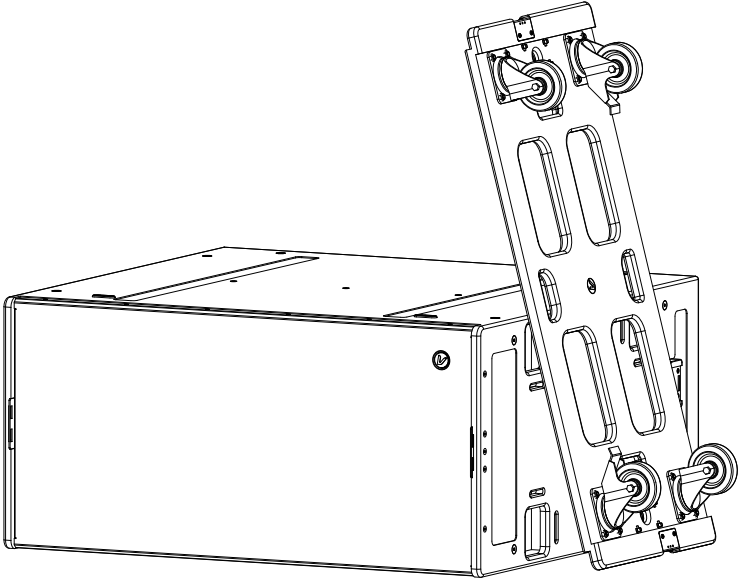


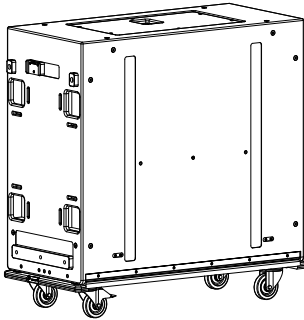
Verity Audio reserves the right to make any changes to the product specifications without prior notice.
Final specifications to be found in the user manual.





SUB136T-PCWBKS
SUB136/SUB136W

用户手册/User'manual



P/N:
060200000177000 (SUB136T-PCWBKS)
Including transportation kit

Acoustics

Power Handling:2400W(AES)
Program Power :4800W
Nominal impedance:4 ohm
Frequency Range:28~1.4kHz (-10dB)
Frequency Response:35~100Hz (-6dB)
Sensitivity:100dB(1W/m)
Maximum SPL:>140dB
(Peak level at 1 m under half space)

Drivers

2x 18" Carbon fiber cone ferrite driver (V.C:4")

Connector

1x **NEUTRIK**® NL4-SPEAKON
INPUT:1±

Cabinet

CNC tongue and groove cabinet 18mm birch wood
Environmental ivory white surface treatment

Product dimension(mm)

SUB136T:W1060xH500xD950
SUB136T-PCWBKS:W1110xH1150xD560mm

N.W(SUB136T)/**G.W**(SUB136T-PCWBKS)
91kg/122kg

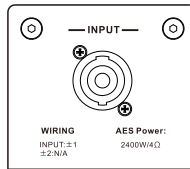
SUB136T-PCWBK (protective accessories)

Special designed for packing and transportation accessories for SUB136T

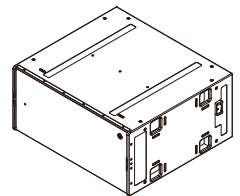
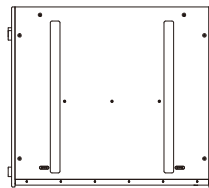
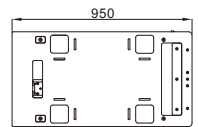
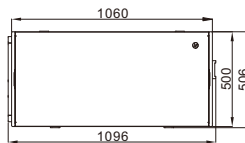
The top cover, cabinets and scooters can be buckled together to protect the cabinets and allow two SUB136T stacking to transportation. It can be used for storing the speaker protective cover during the performance when the top cover and the cart are buckled together.

SUB136T-PCWBKS is a subwoofer specially designed for touring performances. Belongs to the IWAC series product. Accessories include SUB136T-DB and SUB136T-FC that are essential for touring performances. The impedance of the loudspeaker is 4 ohm, with the AES power up to 2400W it can deliver Sound pressure up to 137dB (measured distance in 1 meter and half space with single cabinet). Birch plywood cabinet with CNC manufacturing process, emery spraying craft make it highly durable and professional. Only 50cm height greatly increases the convenience of its stacking installation. Can be stacked in both directions, both horizontally and vertically, creating conditions for ultra low frequency arrays. This product is equipped with a SUB136T-DB and SUB136T-FC, is the necessary accessories for the touring performance. This product is a good choose used in medium and large touring. Special designed stack adapter (SA) to make it can work with IWAC220.

Input Panel:

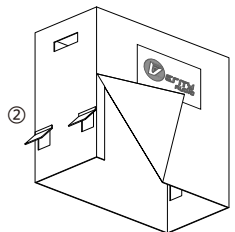
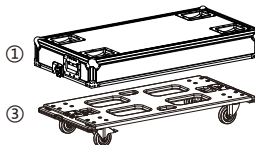


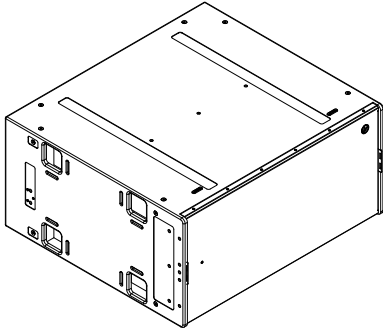
INPUT:±1



P/N:

- ① 020130000003400(Top flight Case:SUB136T-FC)
- ② 020310060001200(Protective cover:SUB136T-PC)
- ③ 040300000013070(Dolly Board:SUB136T-DB)





P/N:
060200000166000 (SUB136)
060200000167000 (SUB136W)white

Acoustics

Power Handling:2400W(AES)
Program Power :4800W
Nominal impedance:4 ohm
Frequency Range:28~1.4kHz (-10dB)
Frequency Response:35~100Hz (-6dB)
Sensitivity:100dB(1W/m)
Maximum SPL:> 140dB
(Peak level at 1 m under half space)

Drivers

2x 18" Carbon fiber cone ferrite driver (V.C:4")

Connector

1x**NEUTRIK**® NL4 SPEAKON
INPUT:1±

Cabinet

CNC,tongue and groove cabinet,18mm birch wood
Environmental ivory white surface treatment

Product dimension/Packing dimension(mm)
W1060xH500xD950 / W1150xH590xW1040

N.W/G.W

89kg/102kg

SUB136/ SUB136W is fixed installation dual 18 inch ultra low frequency subwoofer.

Provide black and white two color subwoofers

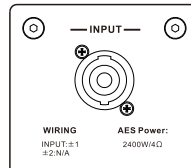
The impedance of the loudspeaker is 4 ohm, with the AES power up to 2400W it can delivery Sound pressure up to 137dB(measured distance in 1 meter with single cabinet).

Birch plywood cabinet with CNC manufacturing process,emery spraying craft make it highly durable and it can stack in vertical and horizontal.

This product is a good choose used in small and medium touring and medium throw distance reinforcement situation.

Special designed stack adapter(SA)to make it can work with IWAC220.

Input Panel:



INPUT:±1

