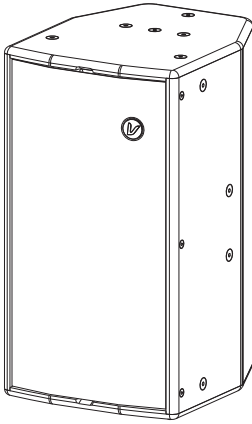


# VOICE10X VOICE12X

User's manual





VOICE-X is a 2-way full range speaker.

VOICE10X/VOICE12X designed with 1.8" /2" voice coil and 150W/200W AES power bass driver, The HF driver is 1.73". On the cabinet it has 20 M8 flying points and a rotatable horn, can meet multipurpose applications.

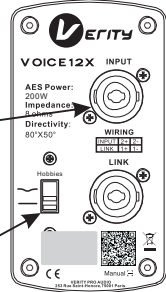
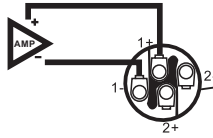
VOICE-X has a very flat frequency response in all frequency bands, high frequency and low frequency have a smooth connection by the right X-over point, it's very good for near field amplification.

VOICE-X can output a very deep and warm low frequency when install close to the wall, cause by its vent which is in the front of the cabinet.



Model	VOICE10X	VOICE12X
Power(AES)	150W	200W
Program power	300W	400W
Nominal impedance	8 Ω	8 Ω
Frequency response(-10dB)	55Hz~20kHz	50Hz~18kHz
Sensitivity	96dB/1W/1m	98dB/1W/1m
Maximum SPL	> 121dB	> 124dB
Directivity(H*V)	80°x50°	80°x50°
LF section	1x 10" driver (1.8" voice coil)	1x 12" driver(2" voice coil)
HF section	1x 1.73" compression driver (1.73" voice coil / 1" throat)	
Connectors	2x <b>NEUTRIK</b> ® Speakon NL4 (±1 INPUT / ±2 LINK)	
Cabinet	CNC made birch multi-layer plywood sand texture and weather-resisting protection paint	
Hanging	20xM8 flying points	
Product Dimension(mm)	350x300x540	400x356x590
Packaging Dimension(mm)	460x410x655	500x456x700
N.W	13.2kg	17.4kg
G.W	15.7kg	22kg

**Wiring:**

±1, Full range/INPUT  
 ±2, Sub/LINK  
 NL4 Speakon plug



**Hobby set:**

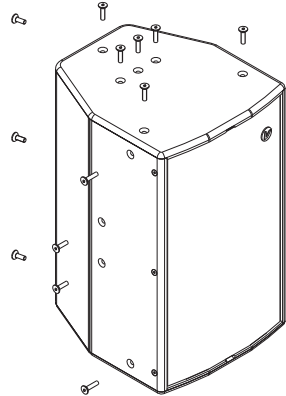
switch to mode "  " it suit to listening music;  
 switch to mode "  " it have good performance in karaoke;

**Hanging:**

VOICE-X has 20 M8 flying points, when you need to hang the speaker just need to remove the screws of the flying points.



And must check if all the screws are moved back to the flying points after installation, if not it may cause air leakage and make sound worse.

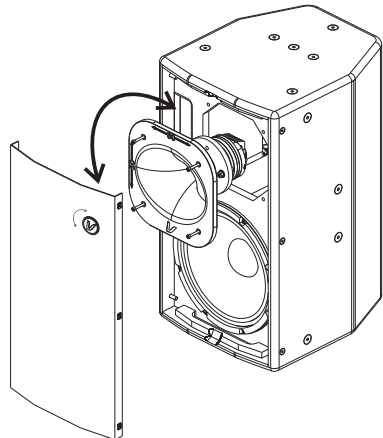


**Angle adjustment:**

1: VOICE-X has a rotatable horn, when you need to change the angle, you can adjust it by yourself.

Default angle:  
 Horizon 80°  
 Vertical 50°

2: LOGO Angle adjustment :  
 LOGO can rotate, adjustments can be set aside 3-6 mm then gently turn the LOGO.



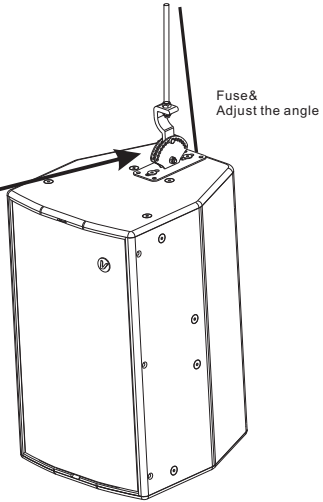
# INSTALLATION

---

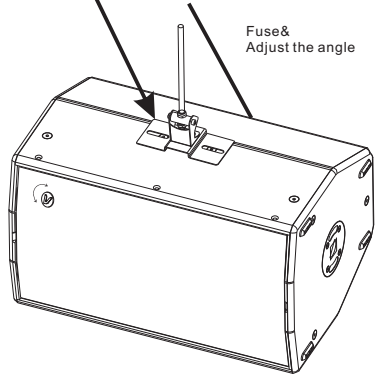
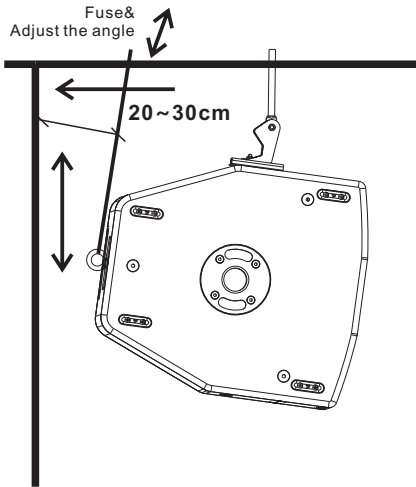
## Install speaker with bracket:

Choose the right flying points and install with bracket.

\*There is no bracket in the package, please purchase by yourself.



To achieve the best low frequency purpose, should assemble the box close to the corner. The back hole of the box should be kept 20-30cm from the wall.



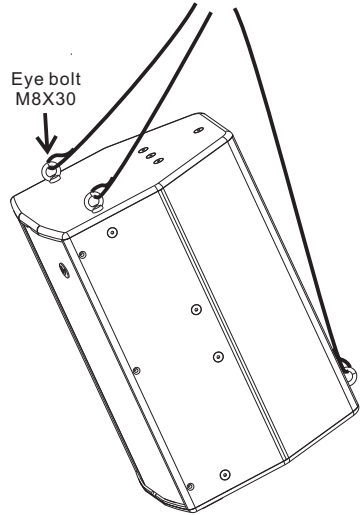
**Install speaker with flying ring:**

Choose the right flying points and install with flying rings.  
 When installation try your best to close to the wall 20cm to 30cm , that can improve the bass performance.



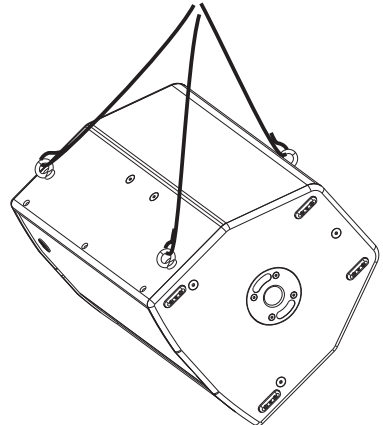
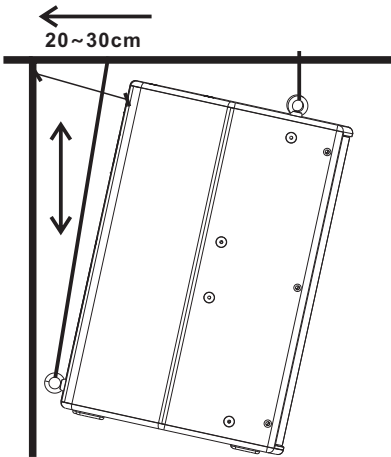
M8x30 eye bolt

\*There is no flying ring(M8x30mm) in the package, please purchase by yourself.



Eye bolt  
M8X30

To achieve the best low frequency purpose, should assemble the box close to the corner. The back hole of the box should be kept 20-30cm from the wall.







Verity Audio reserves the right to make any changes to the product specifications without prior notice.  
Final specifications to be found in the user manual.