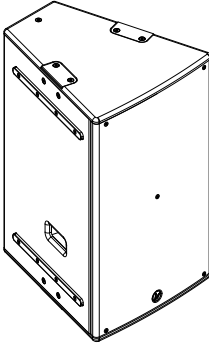


# EVO15 *2-way full range Loudspeaker*

User's manual





**EVO15 (P/N:0602000021600)**

**Description:**

2-way full range Loudspeaker

**Power handling capacity / peak:**

1500W(program) / 3000W(peak 10ms)

**Frequency response:**

45~20kHz (processed)

**Maximum SPL\*:**135dB (processed)

**Nominal impedance:**8

**Coverage (h x v):**

60°x 75°(15°+60°)HF-horn, rotatable

**Transducers:**

LF:1x15" cone driver V.C:3.4"

HF:1x1.4" exit with 3" diaphragm

neodymium

**Acoustical load:**bass-reflex

The EVO15 are high performance passive 2-way loudspeakers.

Employing a single 15"neodymium driver in a bass-reflex enclosure and different HF sections for a wide range of installed sound applications.

Designs using a 1.4"exit neodymium driver and large horns for accurate pattern control. They provide rotatable dispersion characteristics of 60° x 75° (EVO15) or 90° x 75° (EVO15Set).

With a frequency response extending from 45Hz to 20kHz (processed), the cabinets can be used as full range systems or supplemented by different subwoofers of the SUB or S-series.

The enclosures are constructed from marine plywood with an impact resistant black polyurea spot spray finish. The fronts of the cabinets are protected by a rigid metal grill backed.

**Connect:**

2xNEUTRIK® NL4 SPEAKON® parallel

**INPUT/OUTPUT:**+1/-1;LINK:+2/-2

**Cabinet:**

15mm birch plywood made by CNC

**Handling:**2 handles

**Front:**coated steel grille

**Finish:**black polyurea spot spray

**Product DIM / Package DIM (mm):**

W450xH746xD500 / L613xW562xH870

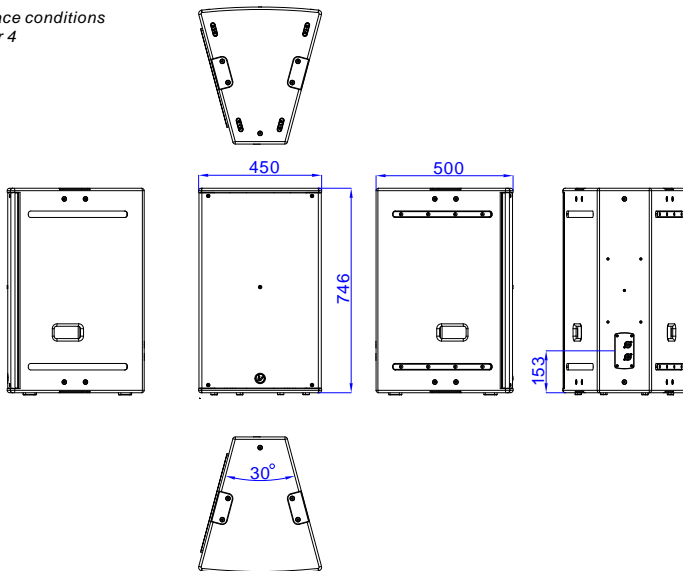
**Net Weight:**

33kg / 73lb

**Gross Weight:**

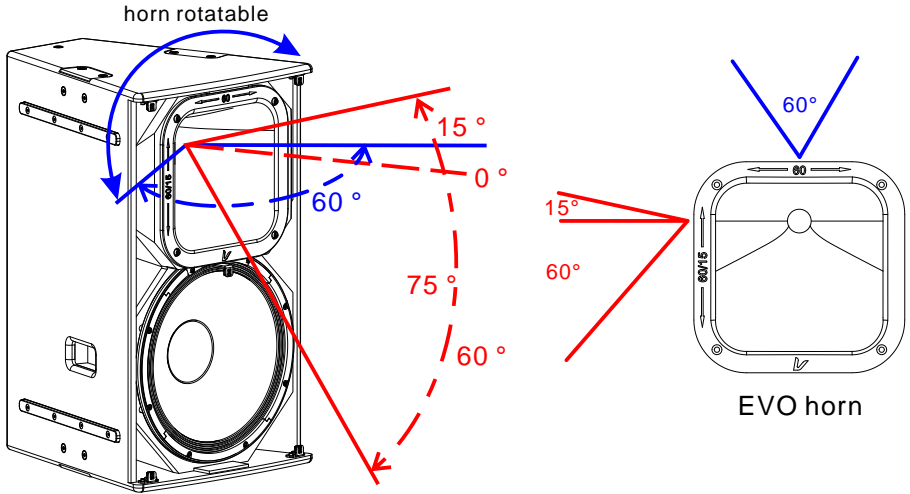
44kg / 97lb

*\*Peak level at 1 m under half space conditions using pink noise with crest factor 4*

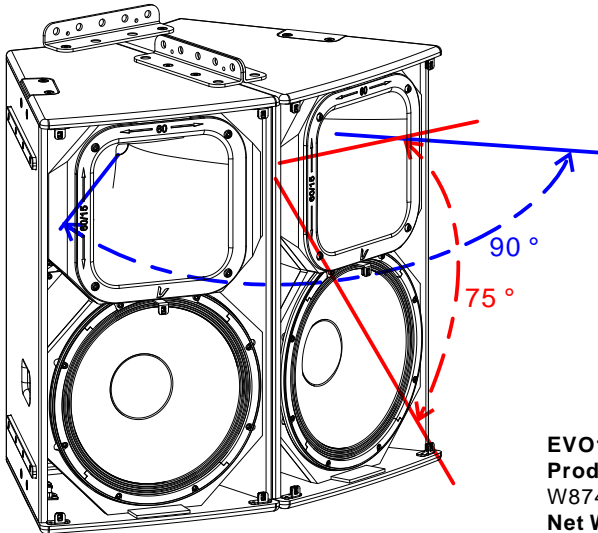


## Directivity

**EVO15** has a high-frequency transducer device and a rotatable asymmetric horn, Produce  $60^\circ \times 75^\circ$  ( $60^\circ + 15^\circ$ ) H/V directional pattern.



**EVO15Set** is a combination of two EVO15, Produce  $90^\circ \times 75^\circ$  H/V directional pattern.



**EVO15Set** (P/N: 060200000221000)  
**Product DIM / Package DIM (mm):**  
W874xH746xD555 / L985xW665xH870  
**Net Weight:**  
67kg / 148lb  
**Gross Weight:**  
82kg / 181lb

## Flying system description

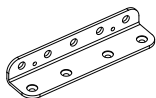
---

### Rigging elements:

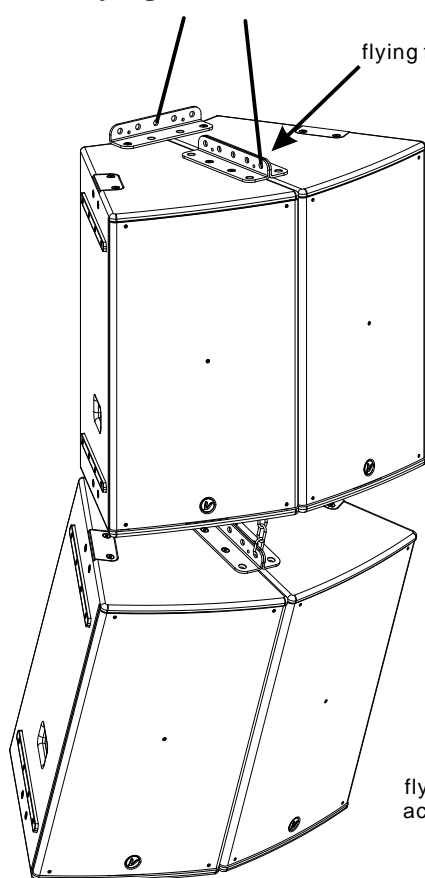
#### Flying frame

Supplied with packaging

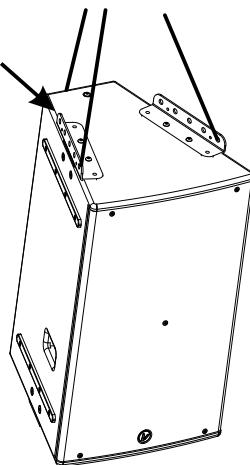
Quantity: 2pcs for EVO15, 4pcs for EVO15Set (already installed on EVO15)



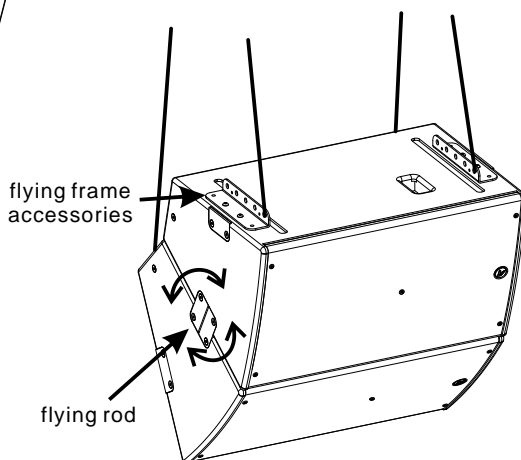
### Vertical flying:



flying frame accessories



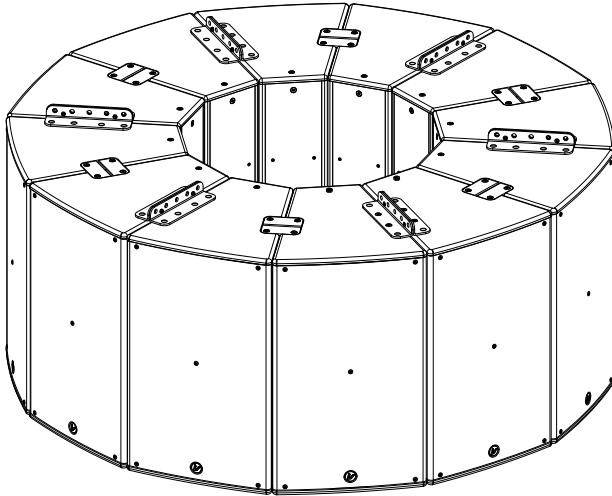
### Horizontal flying:



flying frame accessories

flying rod

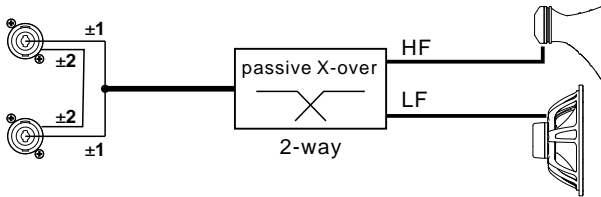
Special application: Circle Array.(12pcs EVO15 )



Loudspeaker connection:

Connector wiring

2xNEUTRIK® NL4 SPEAKON® parallel (+1/-1=INPUT/OUTPUT; +2/-2=LINK:)

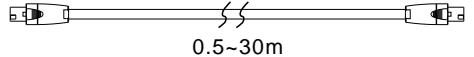


Loudspeaker cables

For EVO15 speakers, the number of the same link should be less than three parallel parts

Impedance load

1 enclosure: 8 ; 2 enclosures in parallel: 4 ;



Recommendation for speaker cables

Follow the recommended maximum length for loudspeaker cables to ensure minimal SPL attenuation.

cable gauge		recommended maximum length			
		1 enclosure		2 enclosures in parallel	
mm <sup>2</sup>	AWG	m	ft	m	ft
2.5	13	30	100	15	50
4	11	50	160	25	80
6	9	74	240	37	120





Verity Audio reserves the right to make any changes to the product specifications without prior notice.