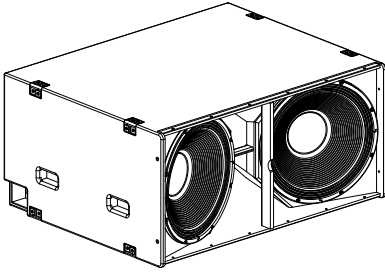


## **SUB136R**

用户手册/User'manual





P/N:06020000228000

## 电声指标 Acoustics

节目承受功率 Power handling capacity:4800W(Program)  
 额定阻抗 Znom.:4 ohm  
 频宽 Frequency Response:34~220Hz (-6dB)  
 最大声压 Max SPL: > 140dB (peak)  
 (半空间下1米处的峰值水平Peak level at 1 m under half space)  
 扬声器单元 Drivers  
 2x18" 铁磁4"音圈  
 Carbon fiber cone ferrite driver (V.C.:4")

## 接线 Connector

1xNEUTRIK® NL4 SPEAKON  
 输入INPUT:±1 并联 THRU ±2

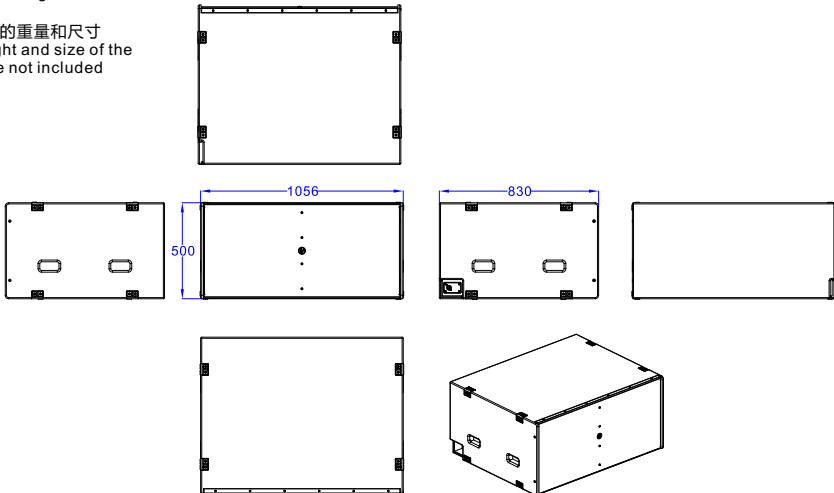
## 箱体 Cabinet

数控加工, 入隼拼接, 波罗的海全桦木多层胶合板  
 沙质文雅耐磨环保喷漆涂层  
 CNC, tongue and groove cabinet, Baltic birch wood  
 Environmental ivory white surface treatment

产品尺寸Product dimension(mm):W1060xH500xD830  
 净重 N.W:76kg/168lb

包装尺寸Packing dimension(mm):W1090xH560xD860  
 毛重 G.W:81kg/179lb

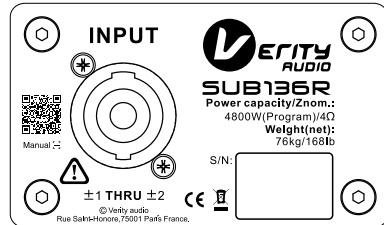
不含托板的重量和尺寸  
 The weight and size of the pallet are not included



SUB136R是专门为固定安装设计的超低频音箱。音箱额定阻抗是4Ω, 音乐功率承受量有4800W, 具有最高达140dB的峰值高声压输出(1米距离地面自由场测量)波罗的海全桦木隼拼结构全加固的箱体, 加以砂质纹理涂层彰显其专业属性。只有50cm的高度大幅提高其堆叠安装的便利性。可以横竖两个方向正反两个方向进行堆叠, 为超低频阵列需要创造条件。

SUB136R is fixed installation dual 18" subwoofer. The impedance of the loudspeaker is 4 ohm, with the Program power up to 4800W. it can delivery Sound pressure up to 140dB (measured distance in 1 meter with single cabinet). Baltic birch plywood cabinet with CNC manufacturing process, emery spraying craft make it highly durable and it can stack in vertical and horizontal.

## 输入板 Input Panel:



输入接线: ±1/±2 并联  
 INPUT: ±1 THRU ±2



Verity Audio reserves the right to make any changes to the product specifications without prior notice.