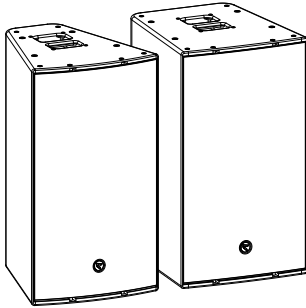


## V15N / V15W

*2-Way line array loudspeaker*

User'manual





**V15 N** (P/N:060200000234000)

**V15 W** (P/N:060200000235000)

**Description:**

2-way line array loudspeaker

**Power handling capacity / peak:**

1200W(program) / 2400W(peak)

**Frequency response:**

**V15N:**41~20kHz (processed)

**V15W:**42~20kHz (processed)

**Maximum SPL\*:**

**V15N:**144dB (processed)

**V15W:**141dB (processed)

**Nominal impedance:**8

**Coverage (h x v):**

**V15N:**120°x 10°;**V15W:**120°x 30°

**Transducers:**

LF:1x15" cone driver V.C:3.0"

HF:1x1.4" exit with 3" diaphragm neodymium

**Acoustical load:**bass-reflex

*\* Peak level measured at 1 m under free field conditions using pink noise with crest factor 4 (preset specified in brackets)*

Part of the V Series, V15 is a medium throw product line designed for installation applications up to 45 m. The highly multifunctional family includes V15N and V15W, passive 15" systems with distinct coverage patterns.

V15 products can be flown or stacked in combinations to form vertical line sources or used individually as configurable directivity point sources.

V15 can adapt to virtually any audience geometry with two enclosure coverage options (10° or 30°)

V15 provides the low frequency contour of a large concert system. The dedicated VS21 subwoofer can be groundstacked or flown with V15 products to reinforce contour and extend bandwidth to 29 Hz.

The discreet yet powerful V15 is an ideal solution for integration applications that require aesthetics and concert level performance for venues large and small.

**Connect:**

2xNEUTRIK® NL4 SPEAKON® parallel

**INPUT/OUTPUT:**1+/1-

**Cabinet:**15mm birch plywood made by CNC

**Handling:**2 handles

**Front:**front coated steel grill acoustically neutral 3D fabric

**Finish:**black polyurea spot spray

**Product DIM / Package DIM (mm):**

**V15N:**W753xH429xD494 / L608xW538xH862

**V15W:**W753xH429xD497 / L608xW538xH862

**Net Weight:**

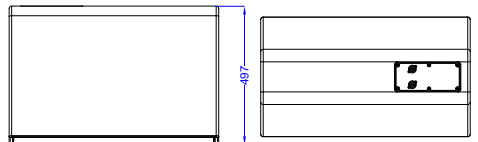
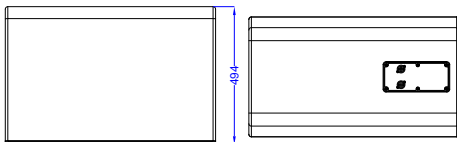
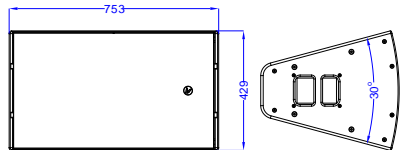
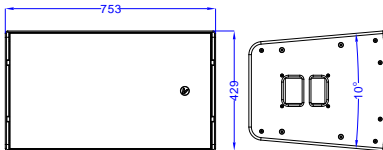
**V15N:**36kg / 79lb

**V15W:**32kg / 71lb

**Gross Weight:**

**V15N:**42kg / 93lb

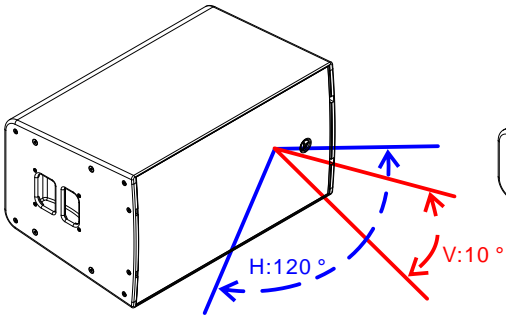
**V15W:**38kg / 84lb



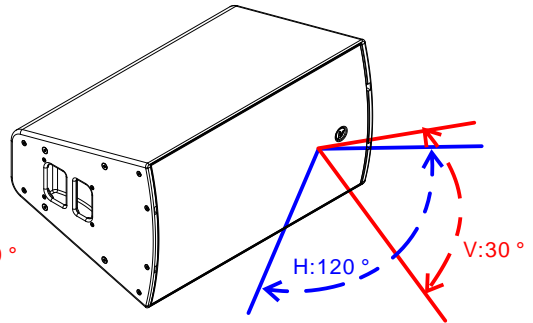
V15N

V15W

## Directivity

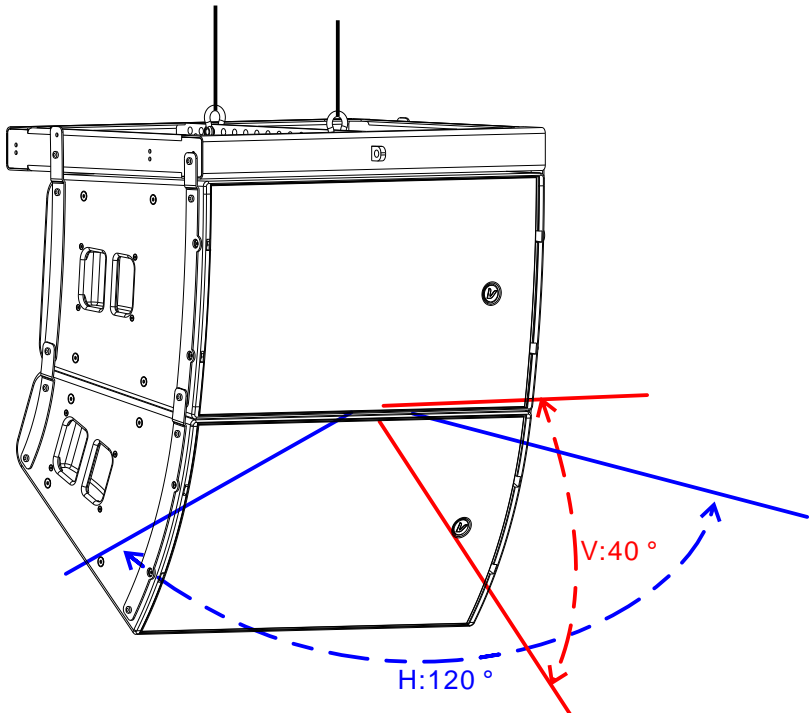


**V15N:** H:120° x V:10°



**V15W:** H:120° x V:30°

**V15N+V15W** is a combination of two V15, produce 120° x 40°H/V directional pattern.

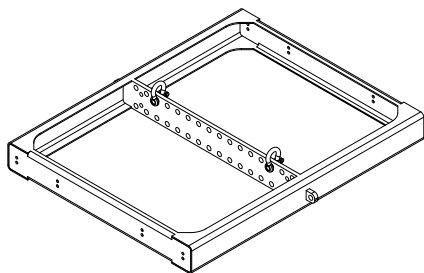


## Flying system description

---

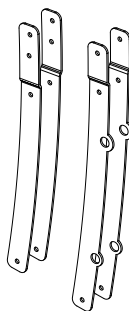
### Rigging elements:

#### Flying frame

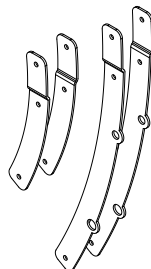


V15-FF(A0)  
024000320015000

#### Rigging plates

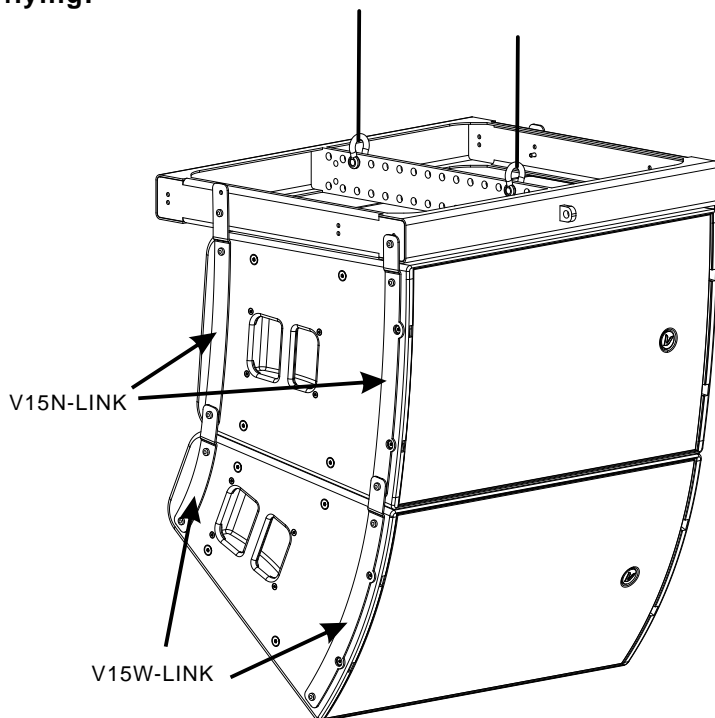


V15N-LINK(A0)  
024000320015100

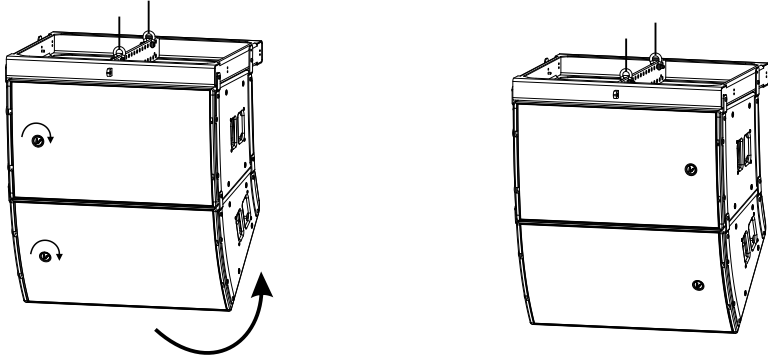


V15W-LINK(A0)  
024000320015200

### Vertical flying:



**Application: Stereo playback**

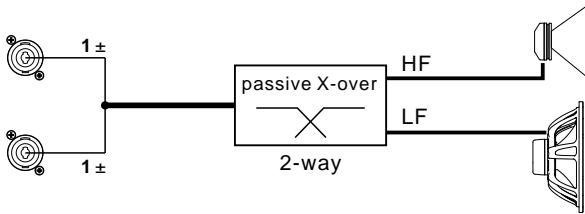


The logo and the case can be rotate to suit various configurations.

**Loudspeaker connection:**

**Connector wiring**

2x **NEUTRIK®** NL4 **SPEAKON®** parallel (1+/1-=INPUT/OUTPUT)

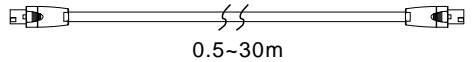


**Loudspeaker cables**

For V15 speakers, the number of the same link should be less than three parallel parts

Impedance load

1 enclosure: 8 ; 2 enclosures in parallel: 4 ;



Recommendation for speaker cables

Follow the recommended maximum length for loudspeaker cables to ensure minimal SPL attenuation.

cable gauge		recommended maximum length			
		1 enclosure		2 enclosures in parallel	
mm <sup>2</sup>	AWG	m	ft	m	ft
2.5	13	30	100	15	50
4	11	50	160	25	80
6	9	74	240	37	120





Verity Audio reserves the right to make any changes to the product specifications without prior notice.