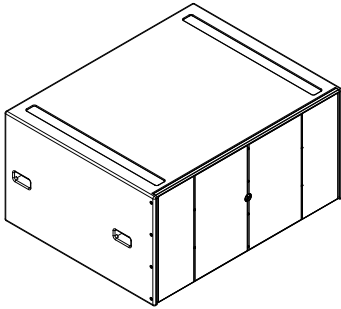


VS28B

用户手册/User'manual



P/N:060200000230000

电声指标 Acoustics

节目承受功率 Power handling capacity:6800W(Program)
 额定阻抗 Znom.:4 ohm
 频宽 Frequency Response:37~130Hz (-6dB)
 最大声压 Max SPL: >143dB (peak)
 (半空间下1米处的峰值水平Peak level at 1 m under half space)
 扬声器单元 Drivers
 2x18" 钕铁硼磁4.5"音圈
 Neodymium magnet driver (V.C:4.5")

接线 Connector

1x **NEUTRIK**® NL4 SPEAKON
 输入INPUT:±1 并联 THRU ±2

箱体 Cabinet

数控加工, 入隼拼接, 波罗的海桦木多层胶合板
 聚脲耐磨环保喷漆涂层
 CNC, tongue and groove cabinet, Baltic birch plywood
 Polyurea paint

产品尺寸Product dimension(mm):W1060xH580xD920
 净重 N.W:102kg/225lb

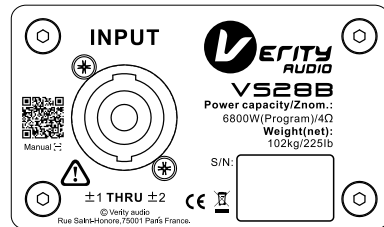
包装尺寸Packing dimension(mm):W1196xH634xD956
 毛重 G.W:107kg/236lb

以上是不含托板的重量和尺寸
 The weight and size of the pallet are not included

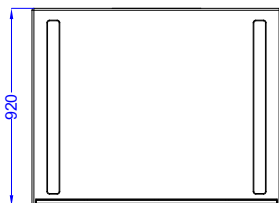
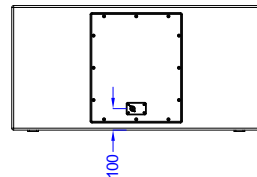
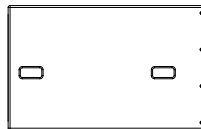
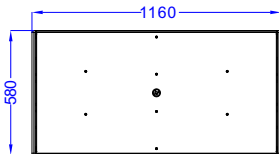
VS28B是专门为固定或巡演安装设计的超低频音箱。音箱额定阻抗为4Ω, 音乐功率承受量有6800W, 采用带通反射式箱体设计, 可高达143dB的峰值高声压输出(1米距离地面自由场测量)
 音箱采用波罗的海桦木隼拼结构全加固的箱体, 加以聚脲耐磨涂层彰显其专业属性。
 音箱可正反两个方向进行堆叠, 为超低频阵列创造物理条件。

The VS28B are dual 18" subwoofers for fixed or touring installations.
 The speaker impedance is 4 ohms, the program power is up to 6800W, The subwoofer adopts a band-pass cabinet design, and the sound pressure can be output up to 143dB (single box 1 meter distance measurement).
 The subwoofer adopts Baltic's fully reinforced cabinet birch falcon structure, urea wear-resistant coating shows professional performance.
 Positive and negative superposition can be achieved orientation create conditions for installation to meet subwoofer array requirements.

输入板 Input Panel:



输入接线:±1/±2并联
 INPUT:±1 THRU ±2





Verity Audio reserves the right to make any changes to the product specifications without prior notice.